

INSTALLATION GUIDE

Electronic Bidet Seat



VICLEAN[®]

BEYOND TECHNOLOGY

Powered by TOTO

Installation Guide

Before installation, be sure to read this installation manual and the separate safety precautions sheet. Mount parts properly according to the directions.



Precautions before installation

- Turn on the electricity and water supply for the product only after all other installation work is complete.
- Do not damage the connection components on the water supply hose (C-3)
- The water supply pressure range is 0.1MPa <dynamic> - 1.0MPa <static> in Europe and Russia, and 0.05MPa <dynamic 10L/min or more> - 0.75MPa (static) in China, Asia, Oceania. Use the unit within the said pressure range.
- The temperature of the water supply should be within a range of 0 to 35°C. Make sure the temperature is within this range.
- Working ambient temperature is within the range of 0 to 40°C. Make sure the temperature is within this range.
- If the water shutoff valve (A-6) is supplied with product, be sure to use it. Do not use other water supply hose (C-3) than the one attached to the product.
*Because a water flow test is conducted on each product at the factory, water may remain inside the product. This water does not indicate a problem with the product.

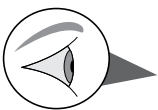
Symbols and their meanings



Task that must be conducted by the installer.



Actions that VICLEAN[®] should perform automatically.

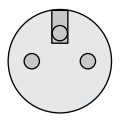
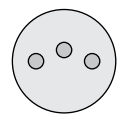
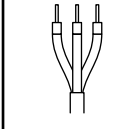
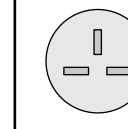
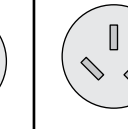


Visual confirmation required.

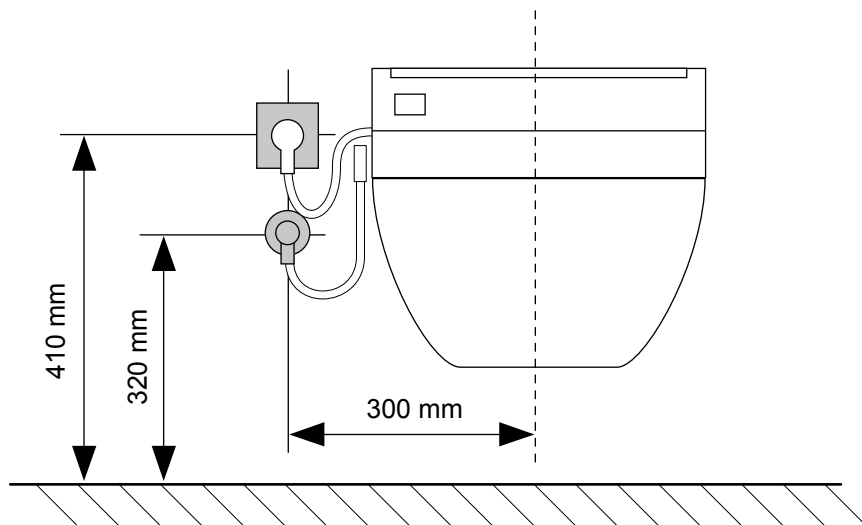
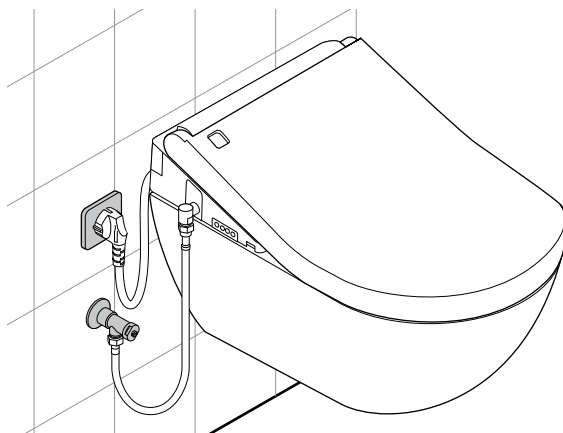


Work flow direction.

The power plug (C-2) shape, power cord length, voltage, rated power consumption vary depending on the version of the product. Check the appropriate type in the table on the right, and then wire and install the product correctly.

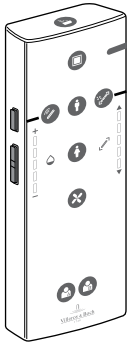
Power plug shape					
Power cord length	0.7m		0.76m	0.7m	
Voltage	220-240V				220V
Rated power consumption	845-855W		840-850W		840W
Maximum power consumption	Less than 1600W (When the water supply temperature is 0°C)				

Prepare an outlet position in advance that conforms to the regulations in your country.

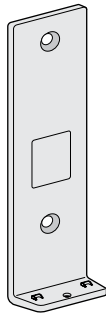


Included Parts

A-1



A-2



A-3



A-4



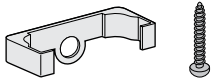
A-5



A-6



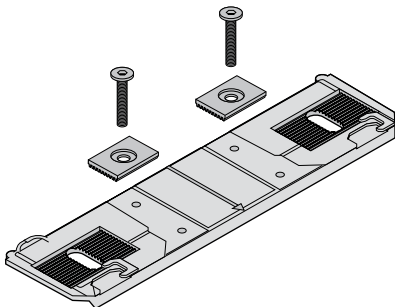
China / Asia /
Oceania



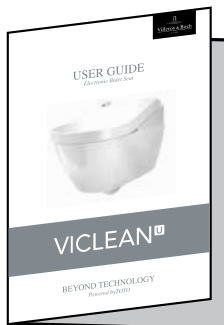
Anti-theft parts for remote control

Please ask home owner if they would like the remote control anti-theft kit installed before starting installation. Please leave the anti-theft kit with the owner if it is not installed.

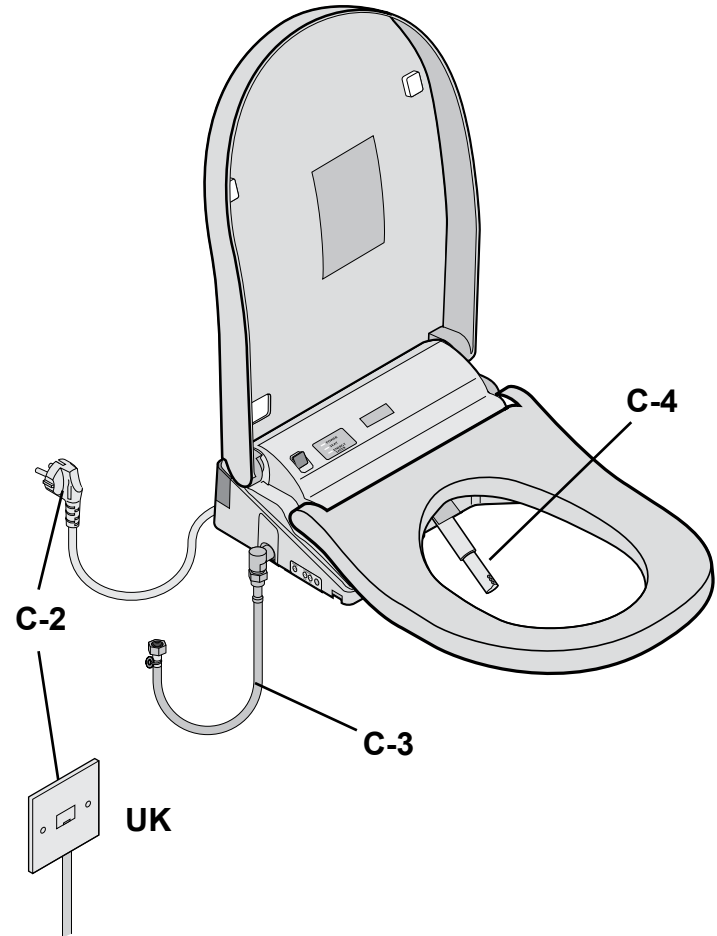
A-7



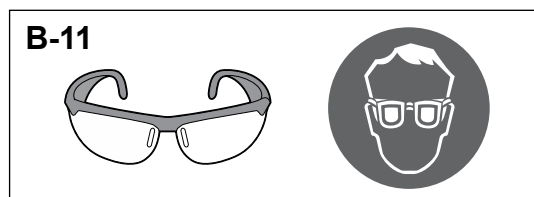
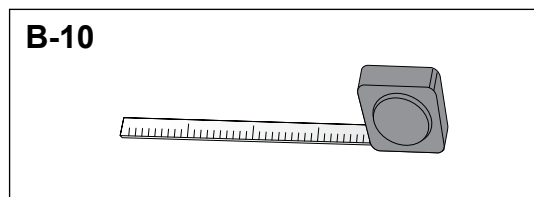
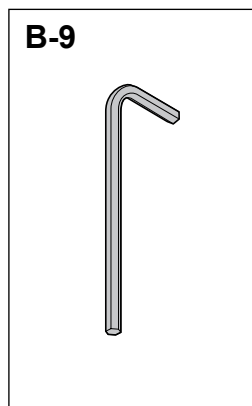
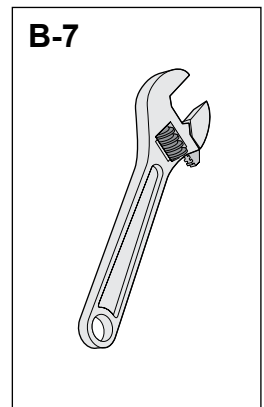
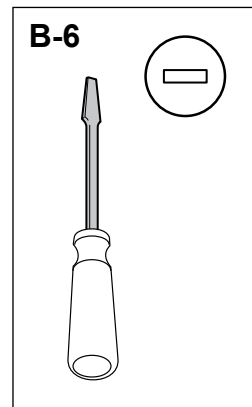
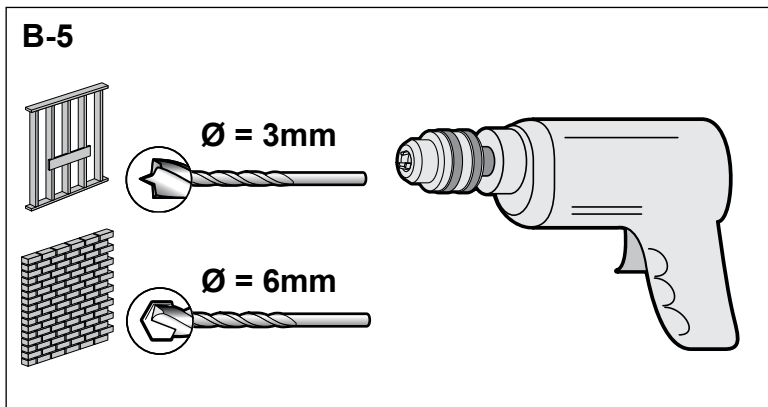
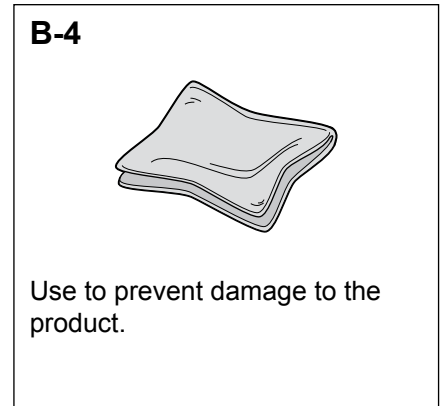
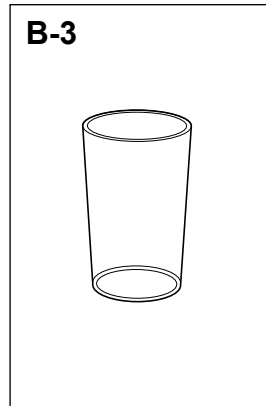
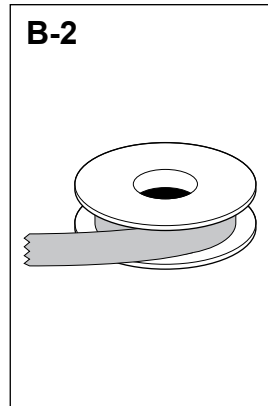
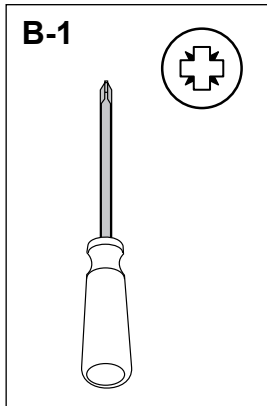
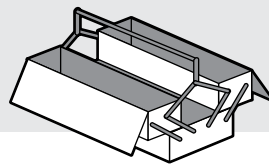
A-8



C-1



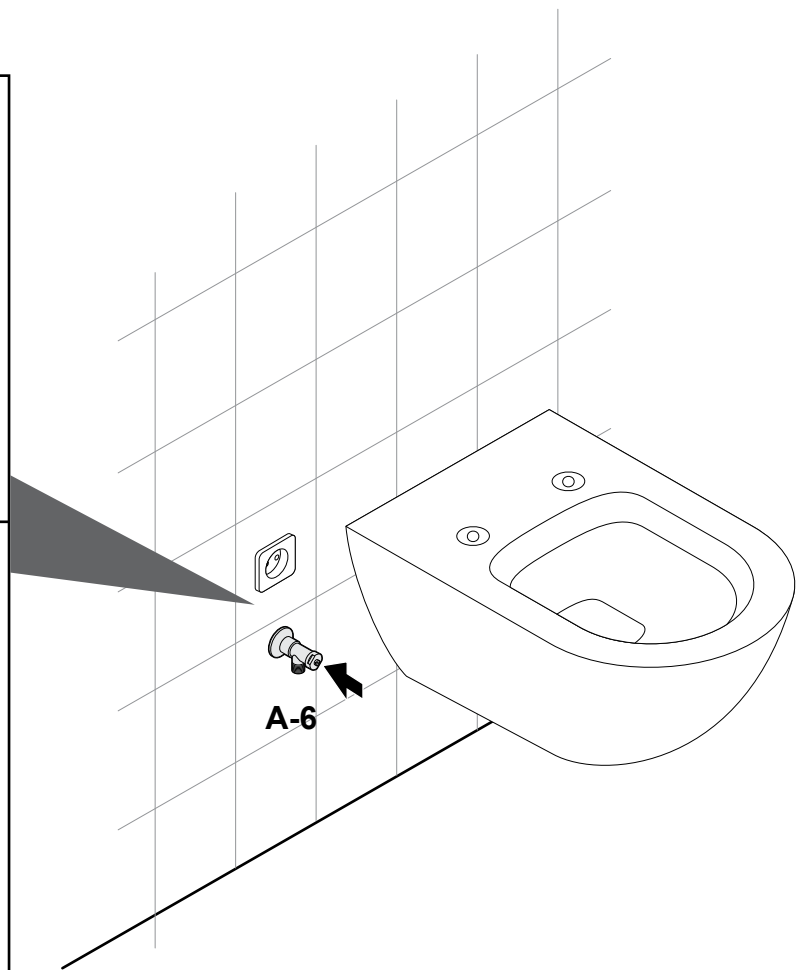
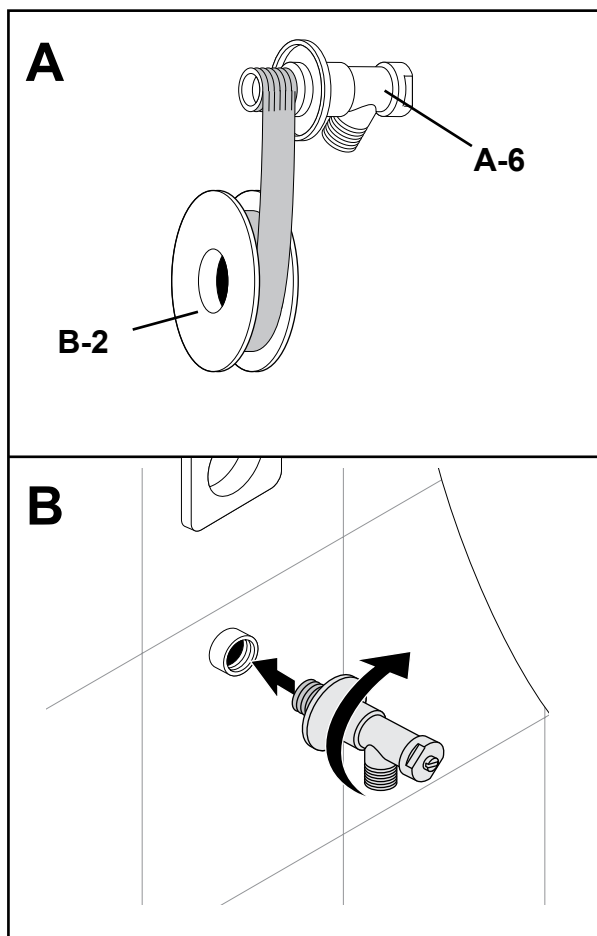
Required items



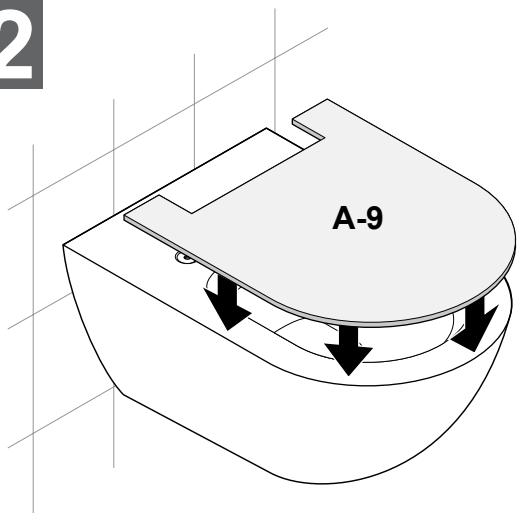
Installation procedure

1

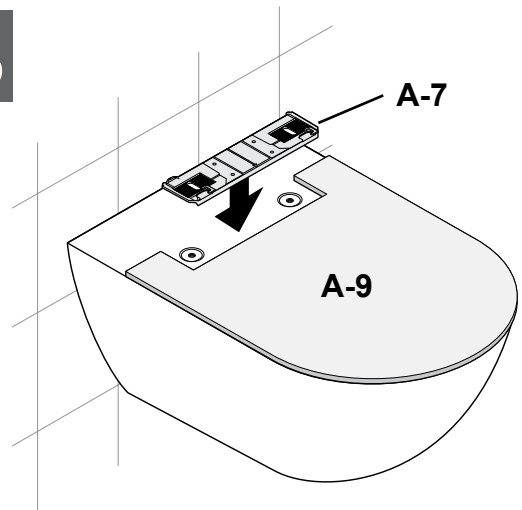
China / Asia / Oceania



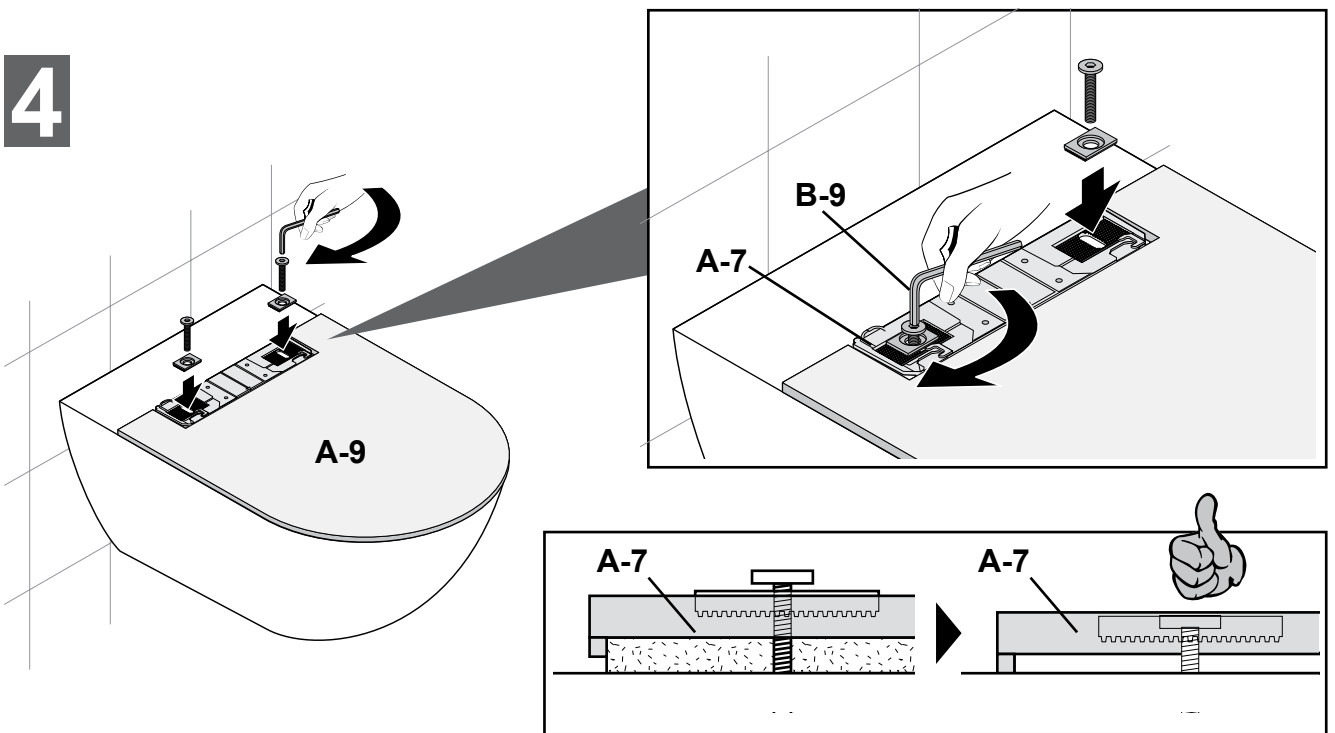
2



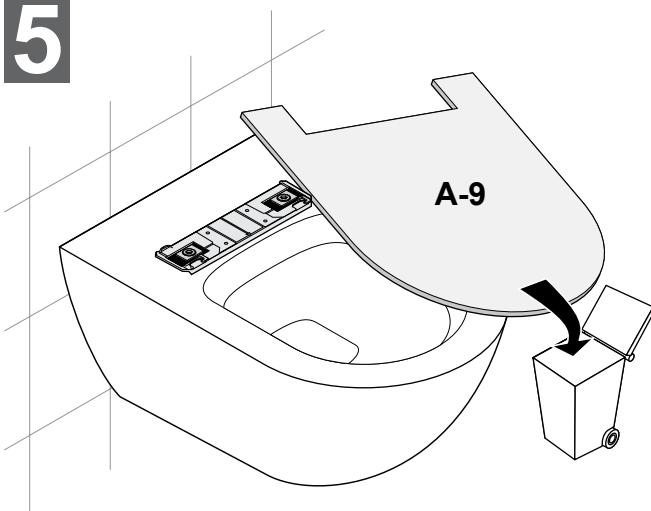
3



4

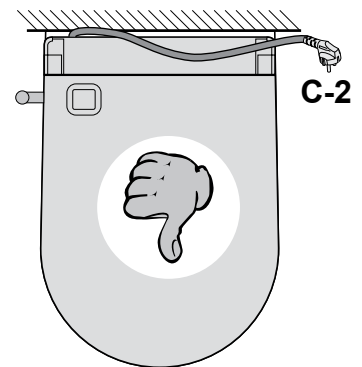
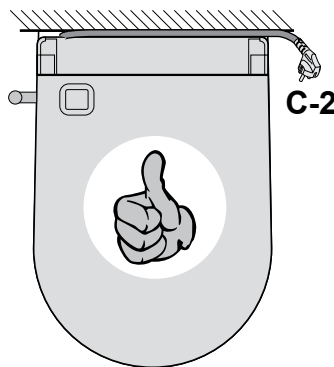
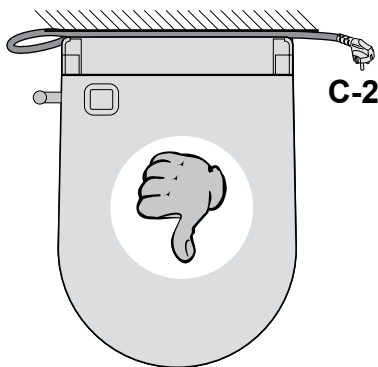
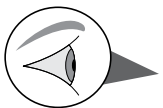
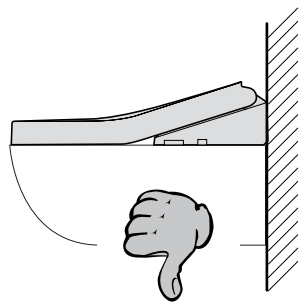
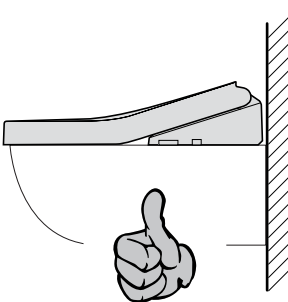
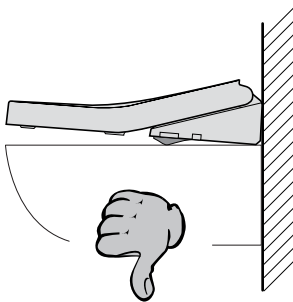
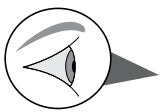
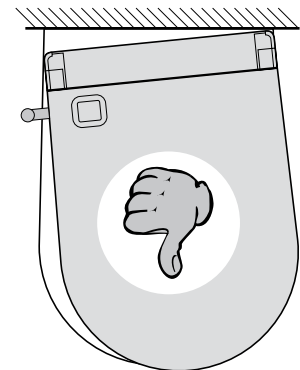
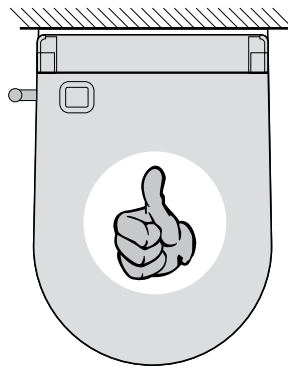
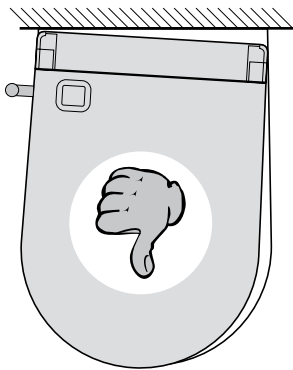
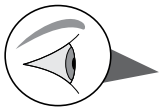
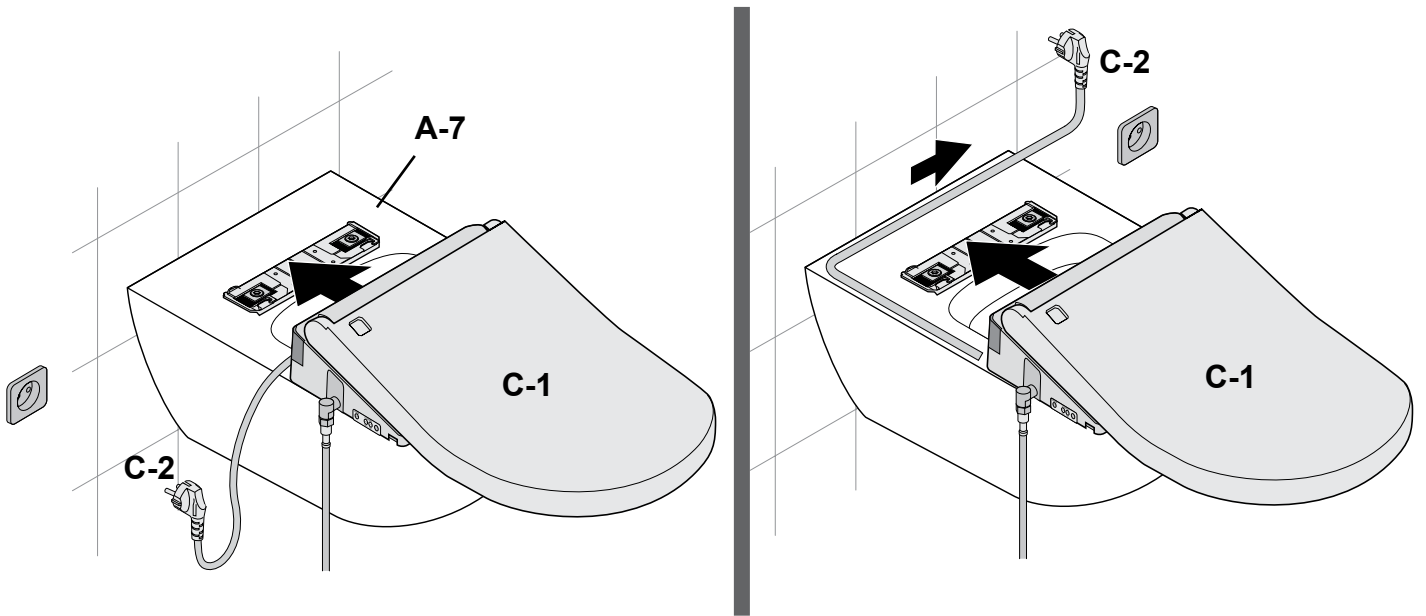


5

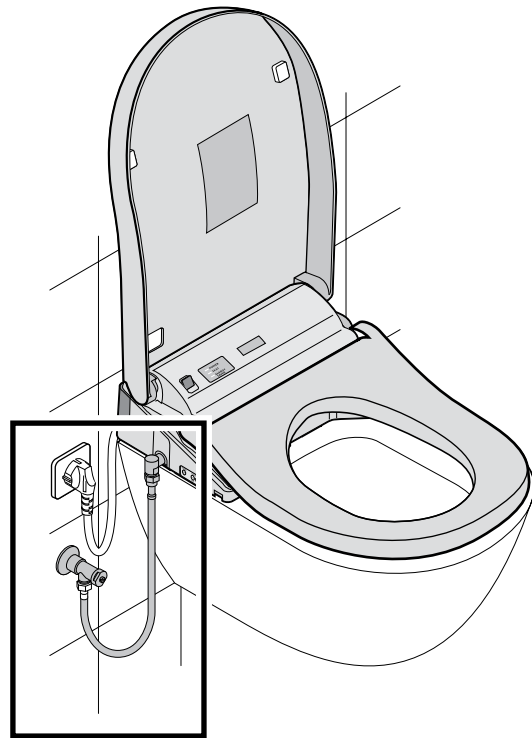
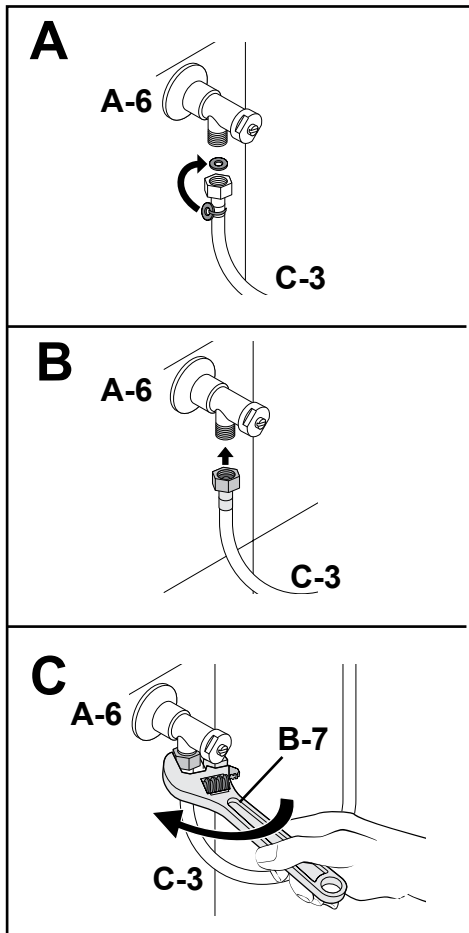


6

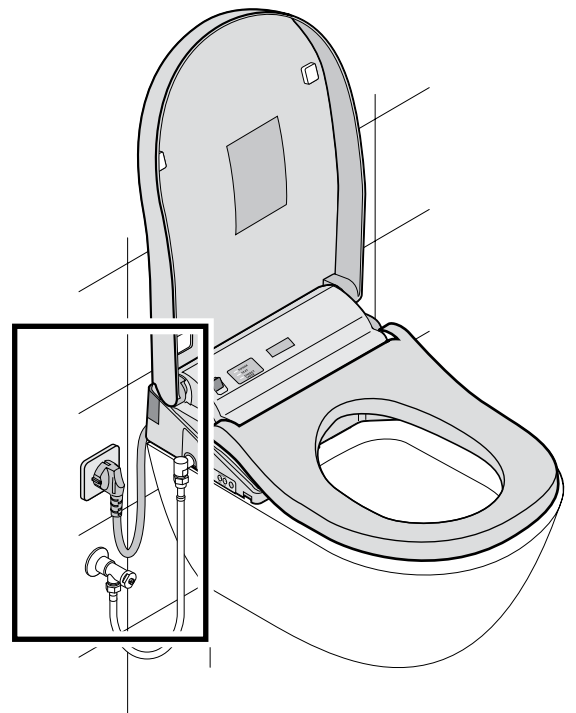
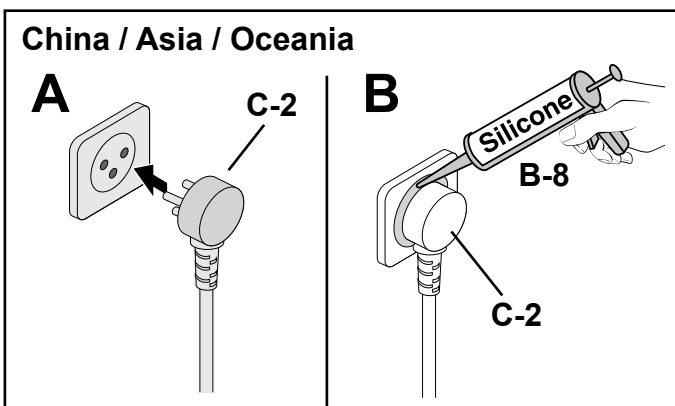
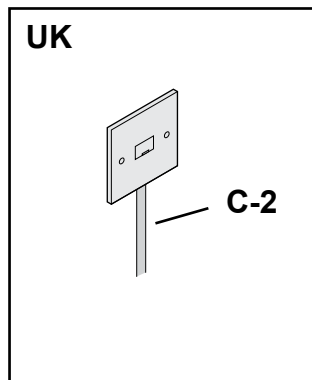
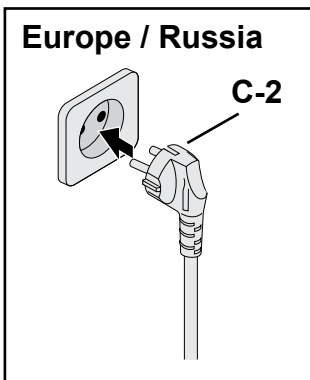
Insert C-1 into A-7 until a click sound is heard.
(After C-1 is mounted, make sure that it can not removed even if it is pulled.)



7

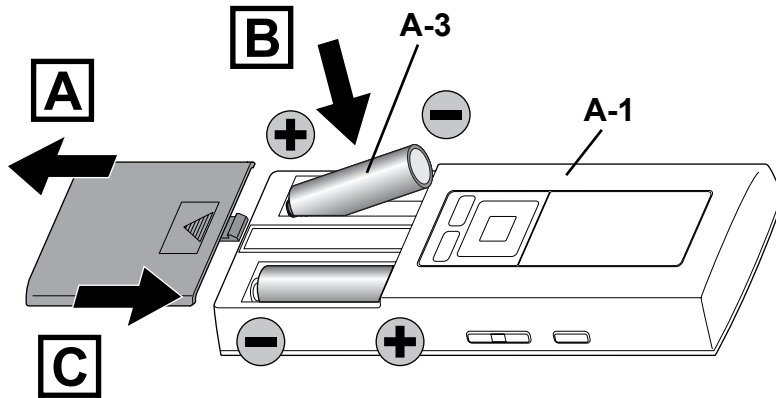


8

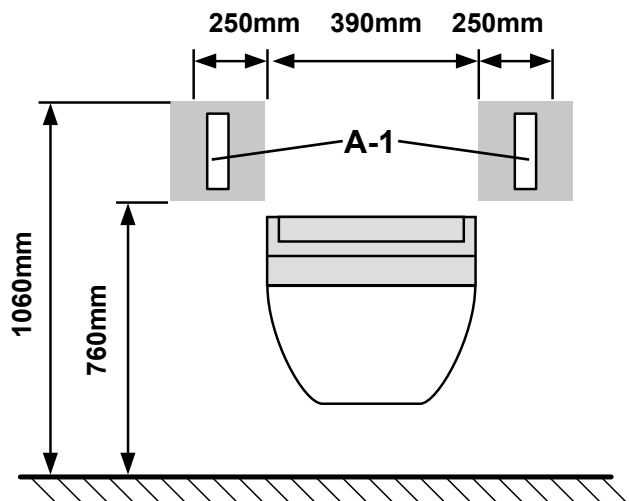
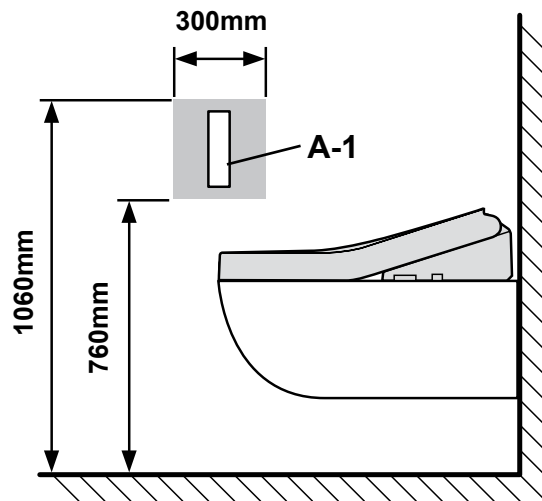


Remote control mounting

9

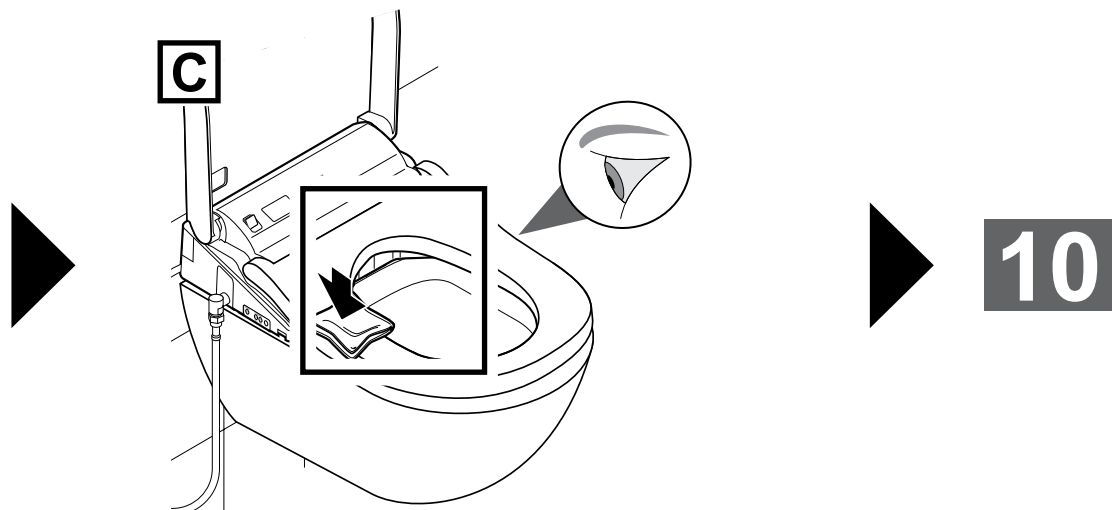
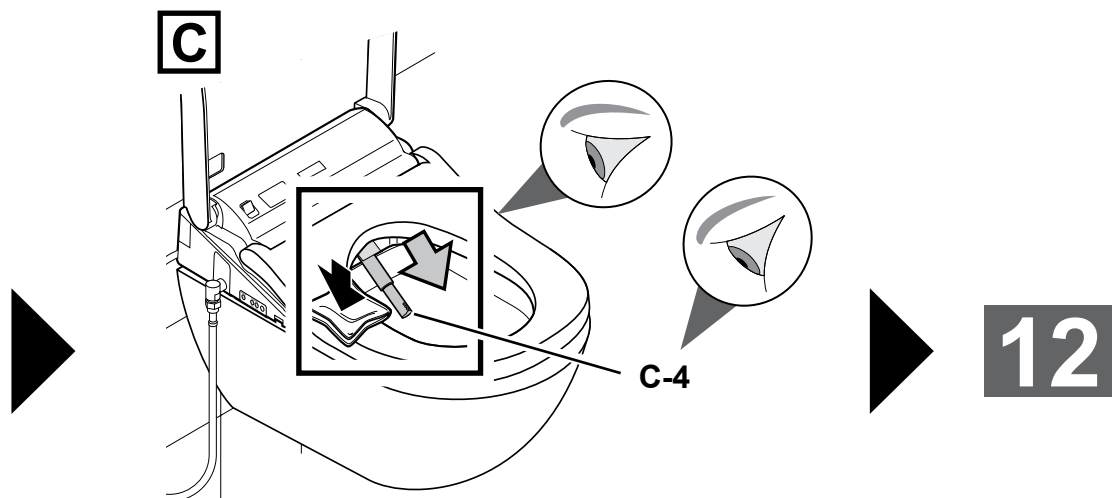
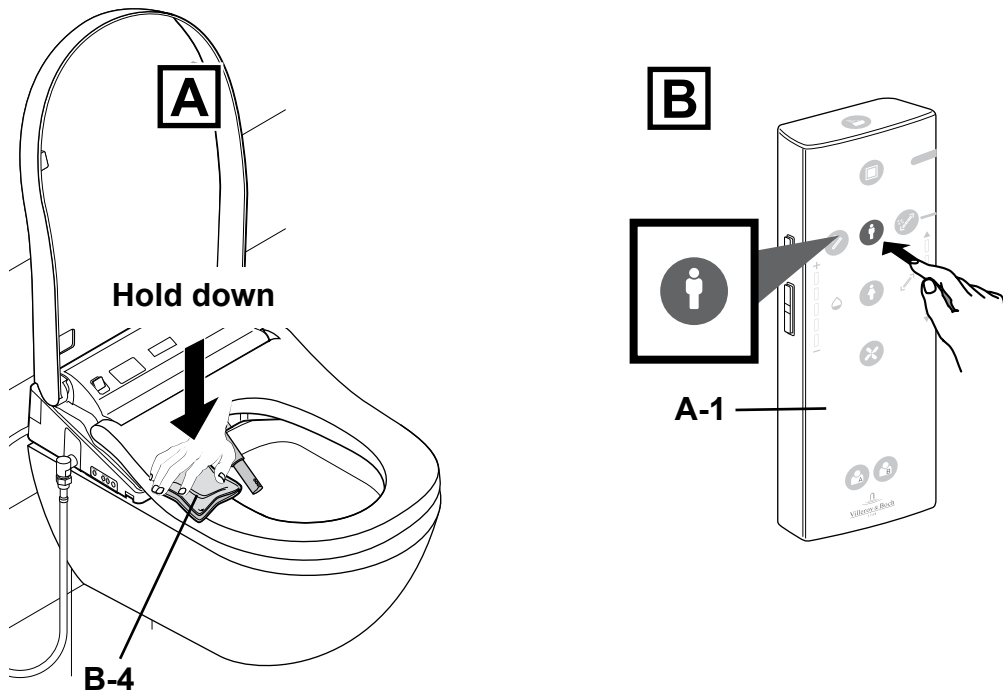


10



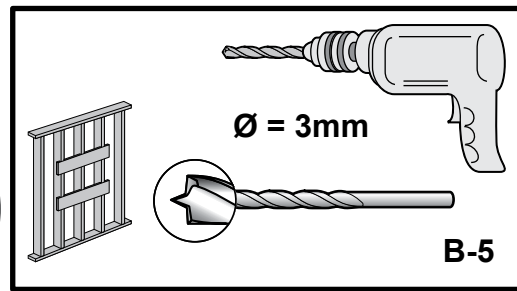
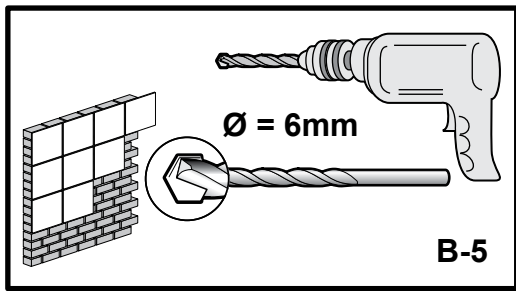
11

Temporarily place the remote control in the position determined in and confirm the signal reception of A-1.

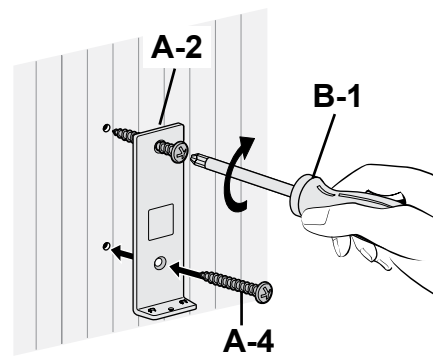
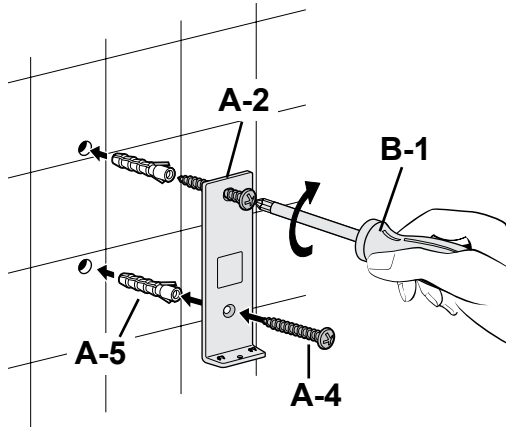
10

12

A

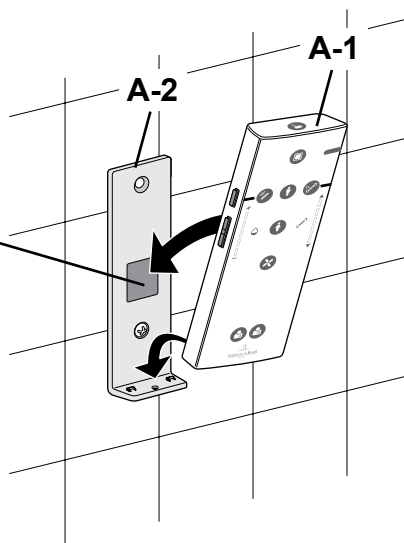


B



C

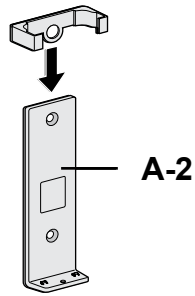
Anchored by magnet.



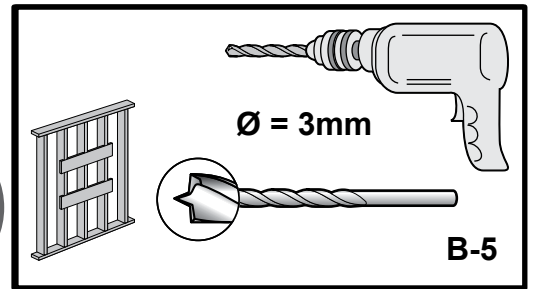
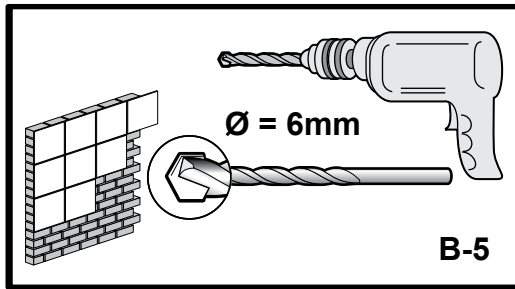
Anti-theft protection for remote control

12

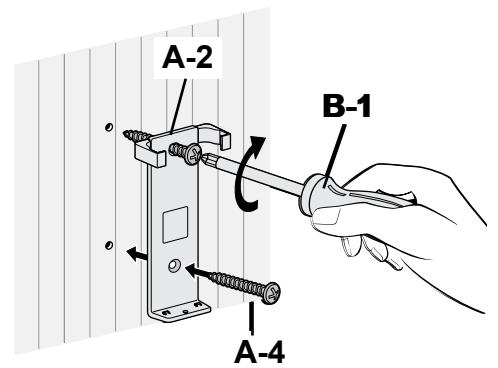
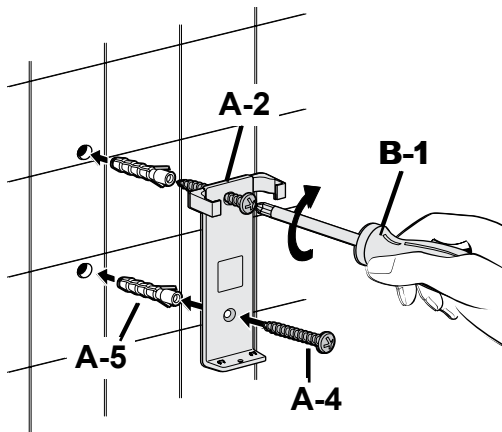
A



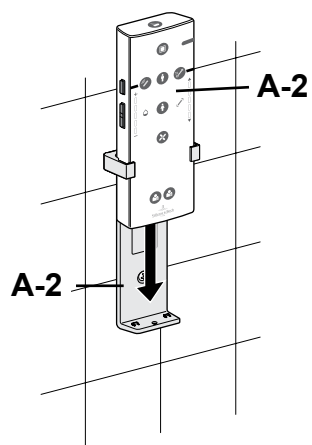
B



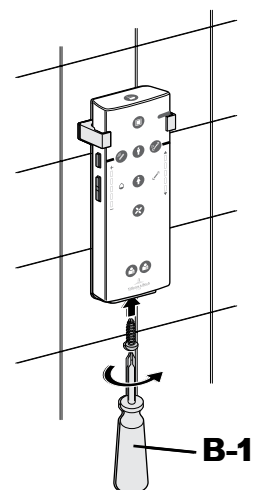
C



D



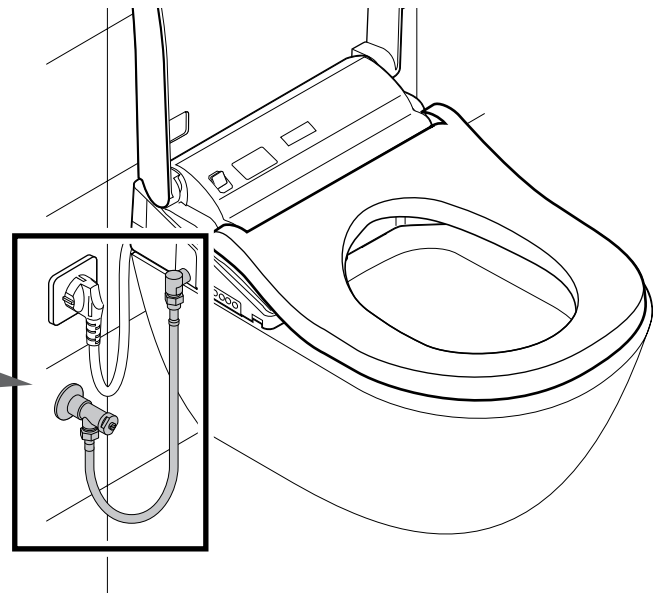
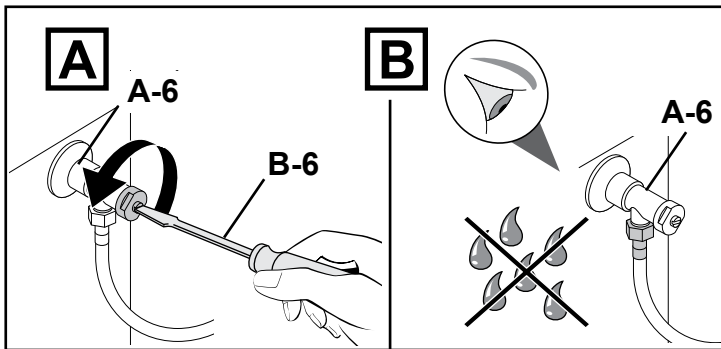
E



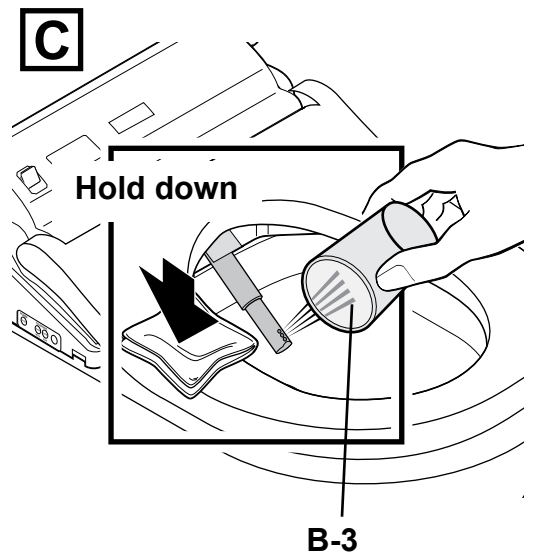
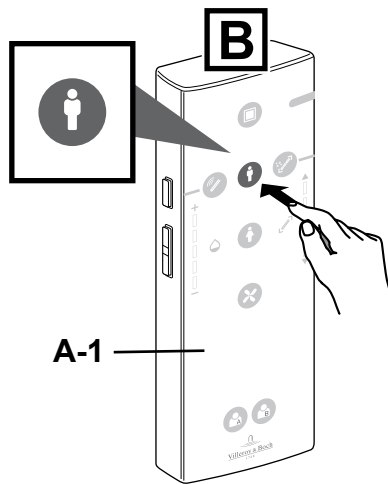
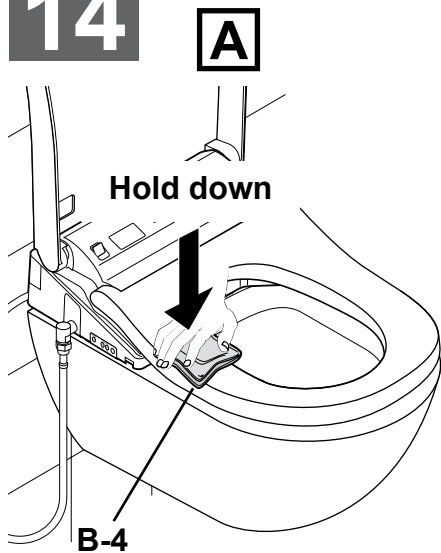
Trial run

13

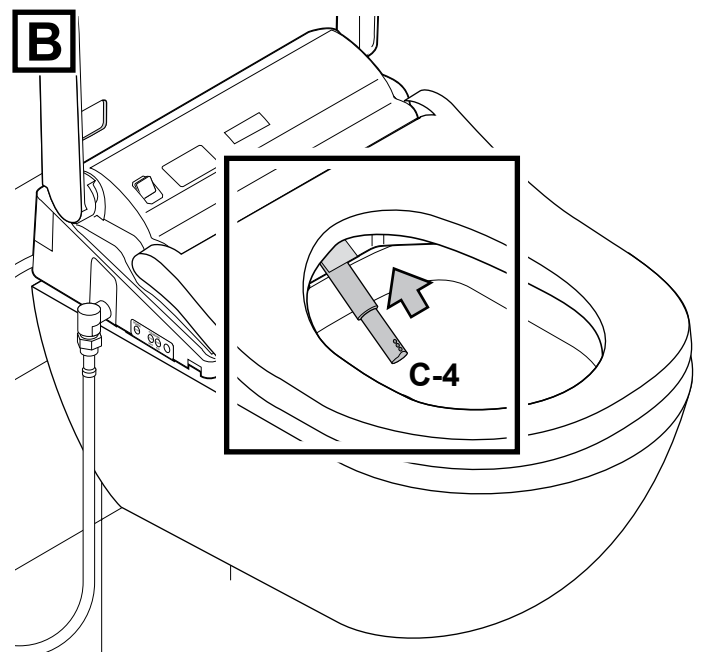
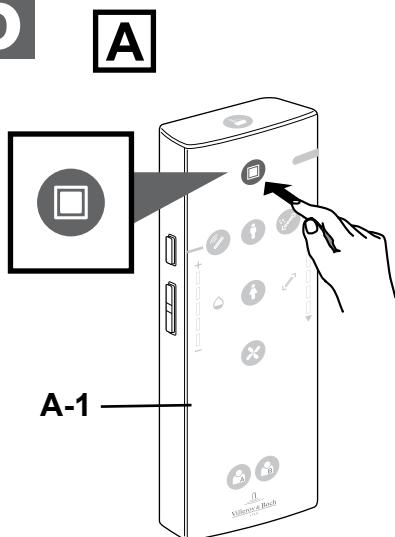
Open the water shutoff valve (A-6).



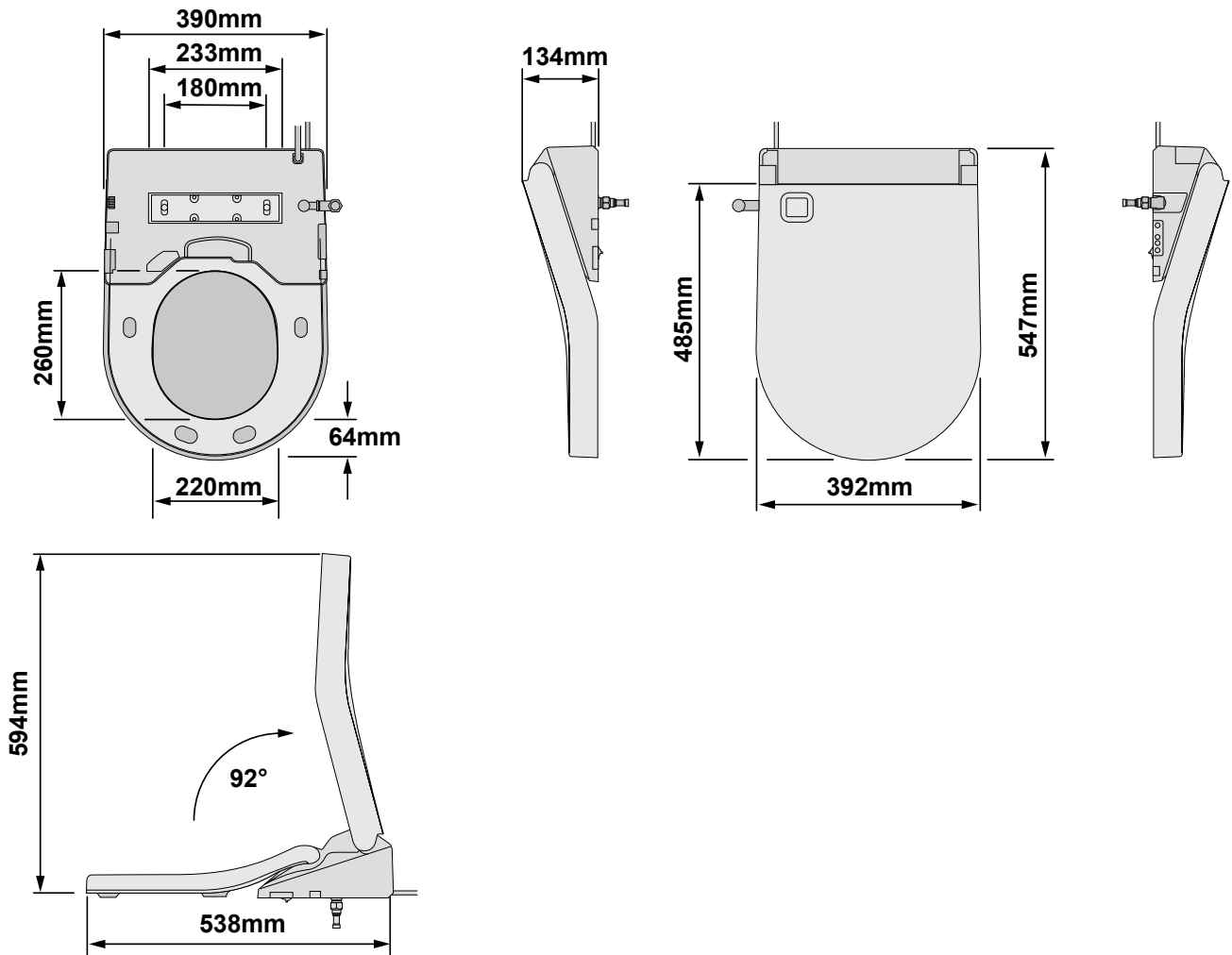
14



15

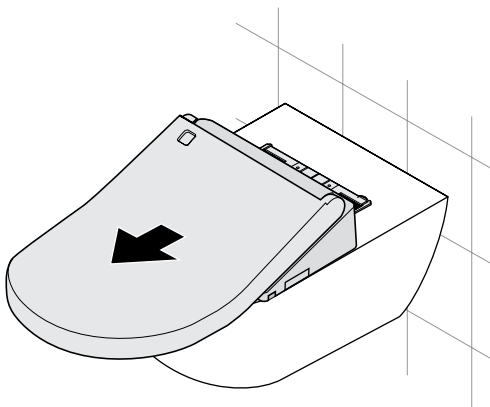


Measurements



Information for the installer

- Please explain the features and operation of VICLEAN[®] to the customer
- If the product will not be used for a long time (like when it is installed in an unoccupied, newly constructed building), turn off the breaker on the distribution board or disconnect the power plug.



As for “How to dismantle the main unit”, please see the separate sheet.

VILLEROY & BOCH

DEUTSCHLAND

*Villeroy & Boch AG
Unternehmensbereich Bad und Wellness
Hauptverwaltung
66693 Mettlach*

EN

09-2013

Farbtöne und Abmessungen unterliegen den üblichen Toleranzen. Technische Änderungen und Farbtonanpassungen vorbehalten.